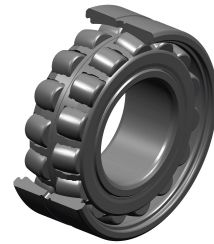


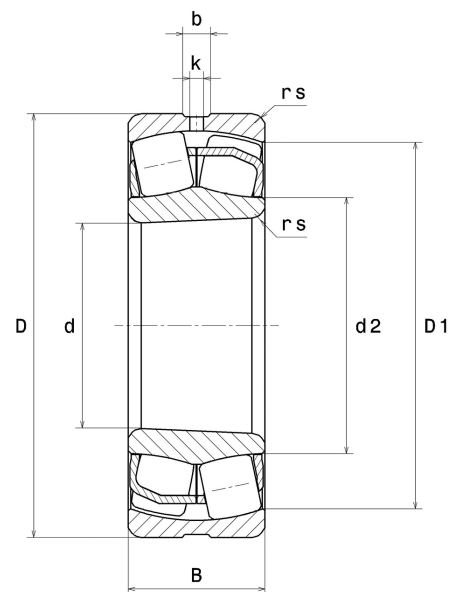
PDF technical sheet 22207EAKW33C4



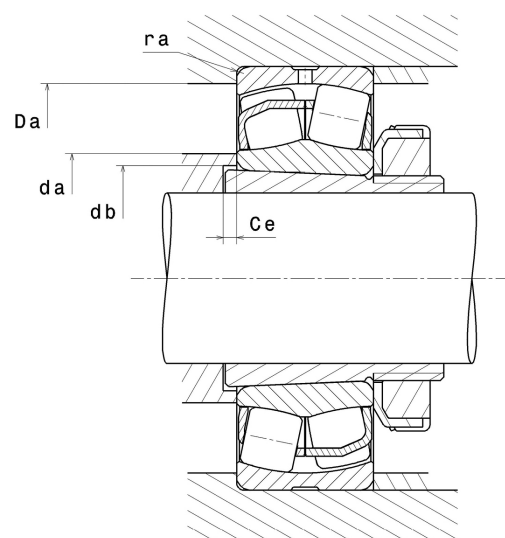
Double row spherical roller bearings

Spherical roller bearing, pressed steel cage, groove and lubrication holes on outer ring, tapered bore 1:12

Product definition	
d	1.3780 "
D	2.8346 "
B	0.9055 "
d2	1.7756 "
D1	2.4803 "
rs min	0.0433 "
Number of lubrication holes	3
b	0.1929 "
k	0.0787 "
Associated sleeve reference	H307
e	0.31
Y1	2.21
Y2	3.29
Y0	2.16
Radial clearance class	C4
Mass	1.48 oz
Brand	SNR



Product performance	
Dynamic load, C	100 kN
Static load, C0	92 kN
Fatigue limit load, Cu	8.65 kN
Nref	9,500 RPM
Nlim	12,000 RPM
Min operating temperature, Tmin	-40 °C
Max operating temperature, Tmax	392 °C
Characteristic cage frequency, FTF	0.42 Hz
Characteristic rolling element frequency, BSF	5.75 Hz
Characteristic outer ring frequency, BPF0	6.68 Hz
Characteristic inner ring frequency, BPF1	9.33 Hz



Abutment dimensions

da min	1.6535 "
Da max	2.5591 "
ra max	0.0394 "

Calculation factors

Equivalent dynamic radial load

$$P = X.F_r + Y.F_a$$

Fa / Fr ≤ e		Fa / Fr > e	
X	Y	X	Y
1	Y1	0.67	Y2

Equivalent static radial load

$$P_0 = X_0.F_r + Y_0.F_a$$

X ₀	Y ₀
1	Y0

The values for e, Y1, Y2 and Y0 are shown in the above table .