

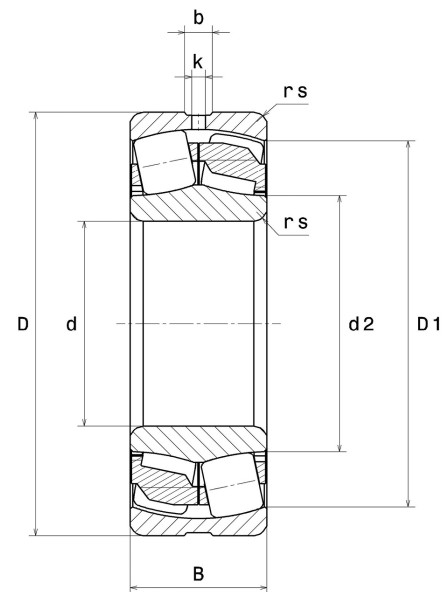
## PDF technical sheet 22206EG15W33



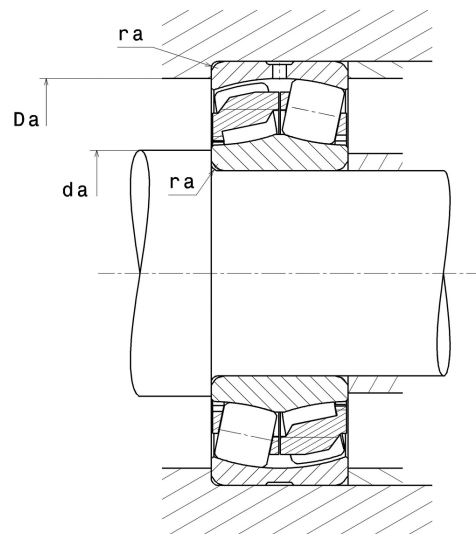
### Double row spherical roller bearings

Spherical roller bearing, polyamide cage, groove and lubrication holes on outer ring

Product definition	
d	1.1811 "
D	2.4409 "
B	0.7874 "
d2	1.4764 "
D1	2.1378 "
rs min	0.0394 "
Number of lubrication holes	3
b	0.1732 "
k	0.0787 "
e	0.31
Y1	2.15
Y2	3.2
Y0	2.1
Radial clearance class	CN
Mass	0.93 oz
Brand	SNR



Product performance	
Dynamic load, C	75.70 kN
Static load, C0	64.50 kN
Fatigue limit load, Cu	6.50 kN
Nref	11,000 RPM
Nlim	14,000 RPM
Min operating temperature, Tmin	-4 °C
Max operating temperature, Tmax	248 °C
Characteristic cage frequency, FTF	0.41 Hz
Characteristic rolling element frequency, BSF	5.25 Hz
Characteristic outer ring frequency, BPF0	6.15 Hz
Characteristic inner ring frequency, BPF1	8.85 Hz



### Abutment dimensions

da min	1.4016 "
Da max	2.2205 "
ra max	0.0394 "

### Calculation factors

#### Equivalent dynamic radial load

$$P = X.F_r + Y.F_a$$

Fa / Fr ≤ e		Fa / Fr > e	
X	Y	X	Y
1	Y1	0.67	Y2

#### Equivalent static radial load

$$P_0 = X_0.F_r + Y_0.F_a$$

X <sub>0</sub>	Y <sub>0</sub>
1	Y0

The values for e, Y1, Y2 and Y0 are shown in the above table .