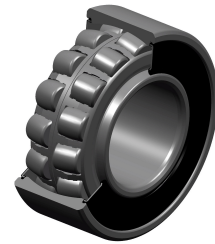


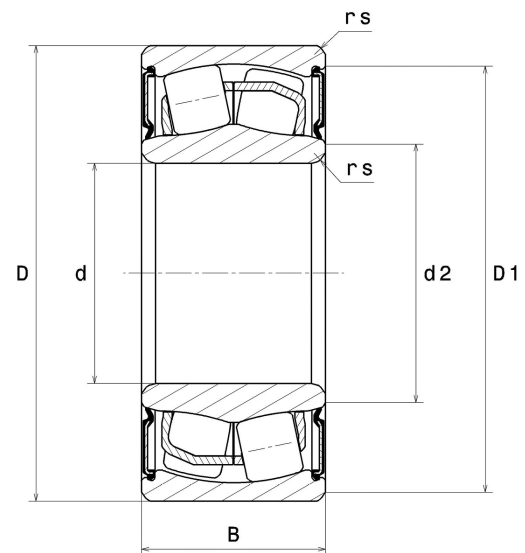
# PDF technical sheet 10X22216EAEEL



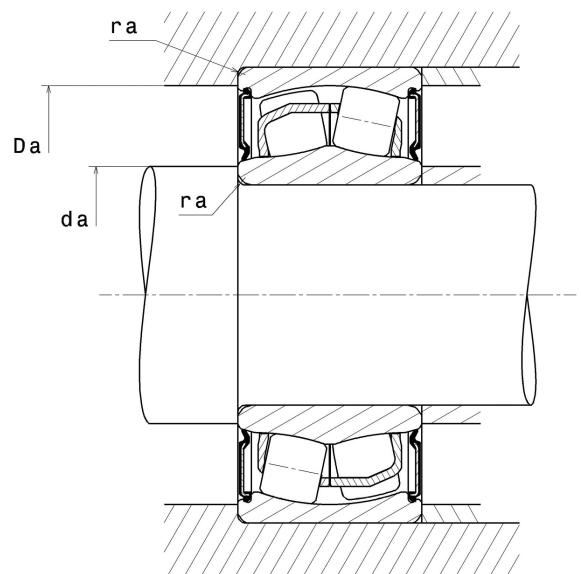
## Double row spherical roller bearings

Spherical roller bearing, pressed steel cage, non ISO width, contact seals on both sides

Product definition	
d	3.1496 "
D	5.5118 "
B	1.5748 "
d2	3.5945 "
D1	5.1772 "
rs min	0.0787 "
Number of lubrication holes	
e	0.22
Y1	3.14
Y2	4.67
Y0	3.07
Radial clearance class	CN
Mass	8.57 oz
Brand	SNR



Product performance	
Dynamic load, C	278 kN
Static load, C0	287 kN
Fatigue limit load, Cu	34.50 kN
Nlim	1,200 RPM
Min operating temperature, Tmin	14 °C
Max operating temperature, Tmax	248 °C
Characteristic cage frequency, FTF	0.43 Hz
Characteristic rolling element frequency, BSF	6.68 Hz
Characteristic outer ring frequency, BPF0	8.12 Hz
Characteristic inner ring frequency, BPF1	10.88 Hz



### Abutment dimensions

da min	3.5827 "
da max	3.5945 "
Da max	5.0787 "
ra max	0.0787 "

### Calculation factors

#### Equivalent dynamic radial load

$$P = X \cdot Fr + Y \cdot Fa$$

Fa / Fr ≤ e		Fa / Fr > e	
X	Y	X	Y
1	Y1	0.67	Y2

#### Equivalent static radial load

$$P_0 = X_0 \cdot Fr + Y_0 \cdot Fa$$

X <sub>0</sub>	Y <sub>0</sub>
1	Y0

The values for e, Y1, Y2 and Y0 are shown in the above table .