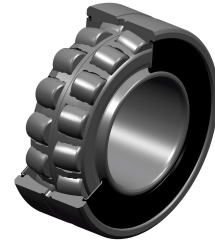


PDF technical sheet 10X22214EAKW33EE

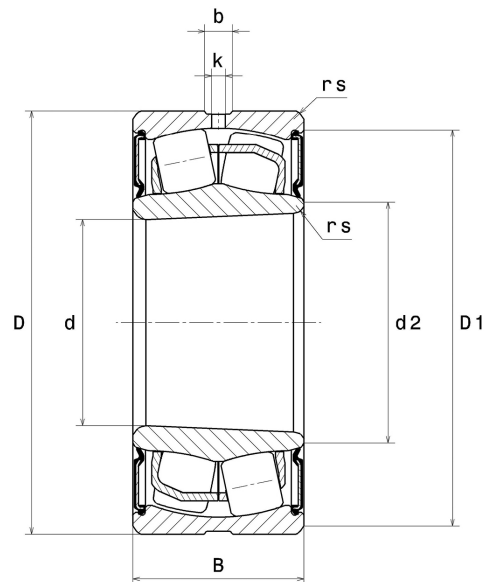


Double row spherical roller bearings

Spherical roller bearing, pressed steel cage, groove and lubrication holes on outer ring, tapered bore 1:12, non ISO width, contact seals on both sides

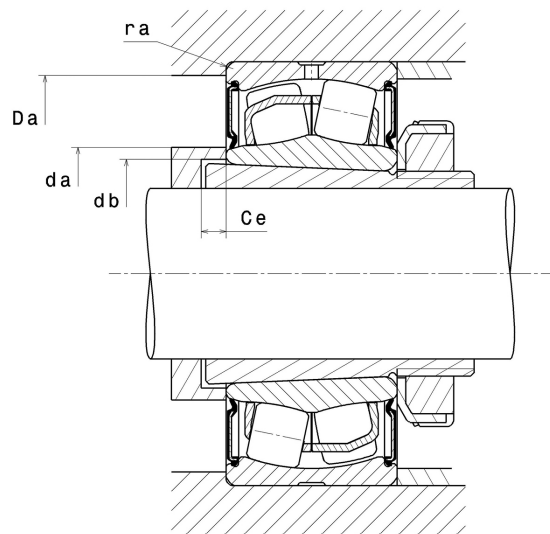
Product definition

d	2.7559 "
D	4.9213 "
B	1.4961 "
d2	3.1969 "
D1	4.6102 "
rs min	0.0591 "
Number of lubrication holes	3
b	0.2913 "
k	0.1378 "
e	0.22
Y1	3.01
Y2	4.48
Y0	2.94
Radial clearance class	CN
Mass	6.33 oz
Brand	SNR



Product performance

Dynamic load, C	235 kN
Static load, C0	240 kN
Fatigue limit load, Cu	28.80 kN
Nlim	1,400 RPM
Min operating temperature, Tmin	14 °C
Max operating temperature, Tmax	248 °C
Characteristic cage frequency, FTF	0.43 Hz
Characteristic rolling element frequency, BSF	6.58 Hz
Characteristic outer ring frequency, BPF0	8.10 Hz
Characteristic inner ring frequency, BPF1	10.90 Hz



Abutment dimensions

da min	3.1102 "
da max	3.1969 "
Da max	4.6102 "
ra max	0.0591 "

Calculation factors

Equivalent dynamic radial load

$$P = X \cdot Fr + Y \cdot Fa$$

Fa / Fr ≤ e		Fa / Fr > e	
X	Y	X	Y
1	Y1	0.67	Y2

Equivalent static radial load

$$P_0 = X_0 \cdot Fr + Y_0 \cdot Fa$$

X ₀	Y ₀
1	Y0

The values for e, Y1, Y2 and Y0 are shown in the above table .