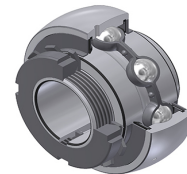


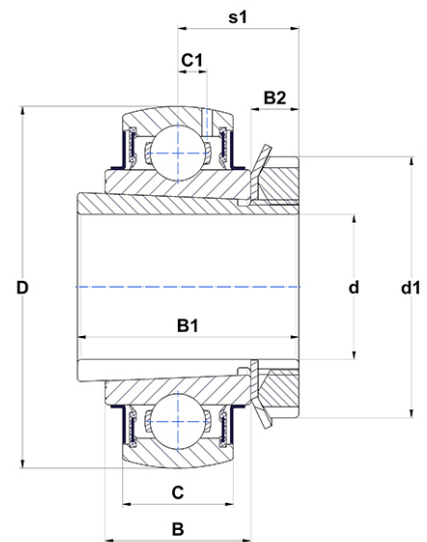
PDF technical sheet UK.208G2HLP



Insert bearings

spherical outer diameter, fixing by adapter sleeve, seal with slinger

Product definition	
B	1.1417 "
B1	1.8110 "
B2	0.3937 "
C	0.8268 "
C1	0.2480 "
d	1.3780 "
d1	2.2835 "
D	3.1496 "



m.ncatalog.featuresotherperformance	
C	29.60 kN
C0	18.20 kN
T min.	-4 °C
T max.	212 °C

Other features	
Weight	2.47 oz