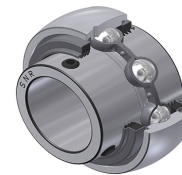


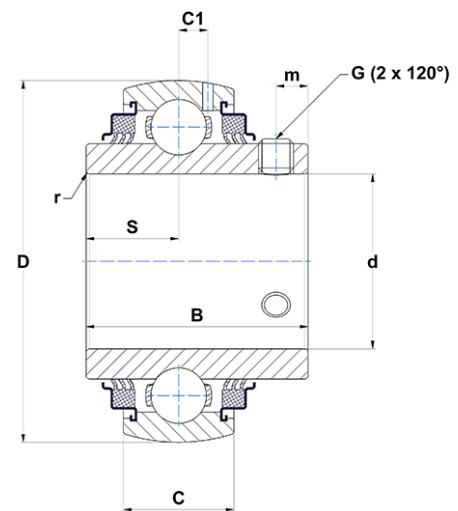
## PDF technical sheet UC30515G2L3



### Insert bearings

spherical outer diameter, fixing by socket set screw, triple lip seal

Product definition	
B	1.4961 "
C	0.8268 "
C1	0.2441 "
d	0.9375 "
D	2.4409 "
G	1/428UNF
m	0.2362 "
r	1.5
S	0.5906 "
SW	0.1250 "



m.ncatalog.fo.featuresotherperformance	
C	22.36 kN
C0	11.50 kN
T min.	-4 °C
T max.	212 °C

Other features	
Weight	1.23 oz
Recommended tightening torque for set screw	3.70 Nm