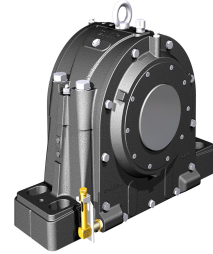


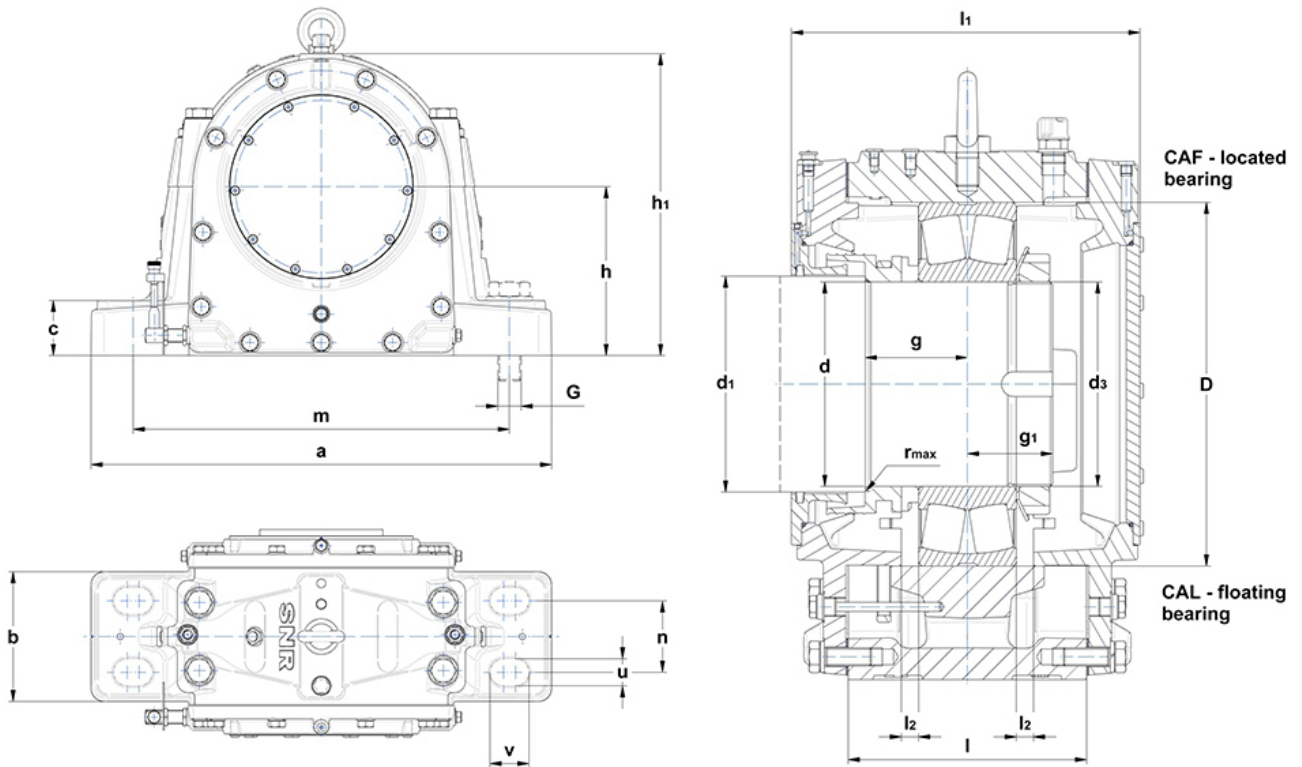
bearing 1	Nut	Lock washer	Feltstrips (optional)
22234	KM 34	MB 34	9x7,5x685

PDF technical sheet SNOE2342DCAL



Split plummer block housings SNOE

split plummer block housing for spherical roller bearings with cylindrical bore, made of ductile cast, for oil lubrication



Product definition	
d	6.6929 "
d1	6.9291 "
d3	M170x3
a	27.9528 "
b	7.8740 "
c	3.3465 "
g	3.5433 "
g1	2.8740 "
h	10.2362 "
h1	18.1102 "
l	8.2677 "
l1	12.2835 "
l2	0.5906 "
m	22.8346 "
n	4.3307 "
u	1.6535 "
v	2.3622 "
r max	0.0630 "
D	12.2047 "
oil level	85.8661 "
oil quantity	85.21 in ³
housing weight	624.35 oz
Material of Housing	ductile cast
Brand	SNR

Screws	
fixing bolts G	M36
recommended torque	1,520 Nm
Connection bolts	M24
recommended torque	440 Nm
Eye bolt(s)	M20