

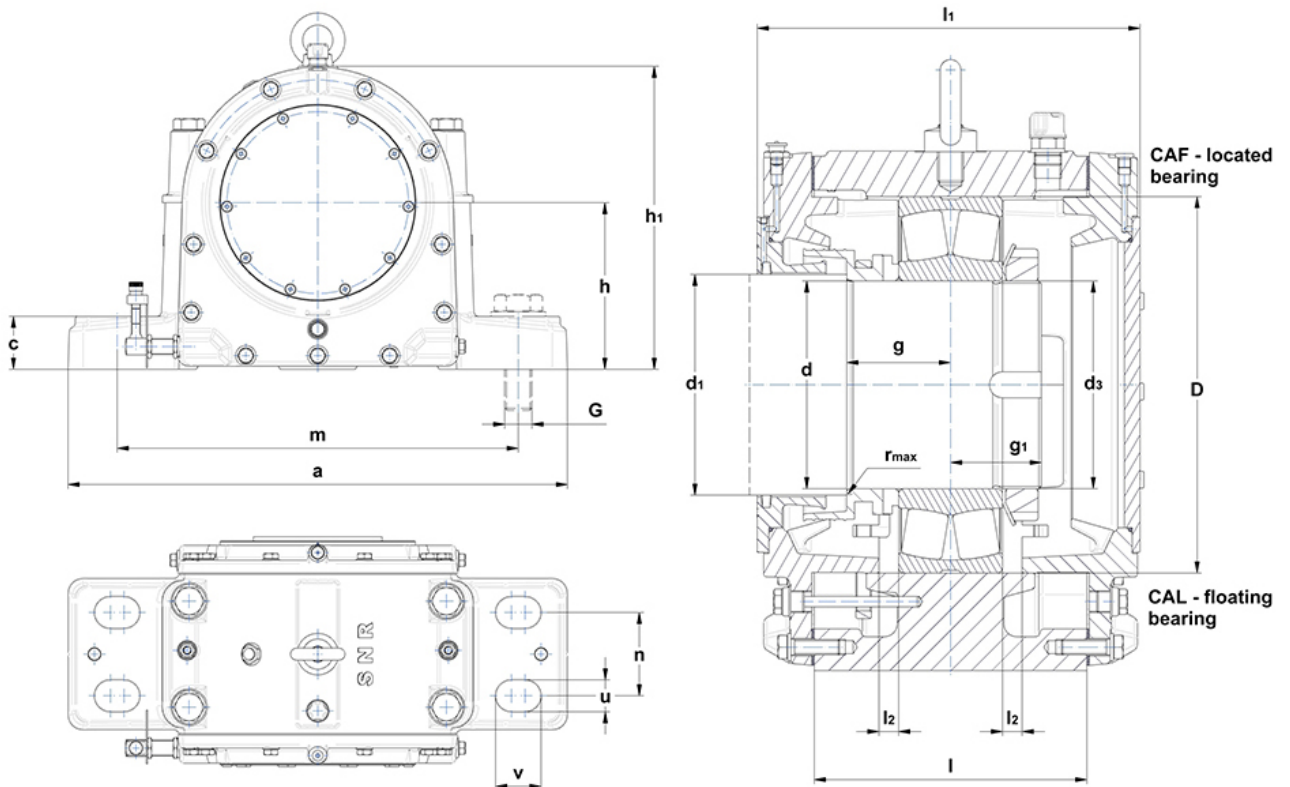
bearing 1	Nut	Lock washer	Feltstrips (optional)
22232	KM 32	MB 32	9x7,5x662

## PDF technical sheet SNOE232CAL



### Split plummer block housings SNOE

split plummer block housing for spherical roller bearings with cylindrical bore, made of grey cast, for oil lubrication



Product definition	
d	6.2992 "
d1	6.6929 "
d3	M160x3
a	25.9843 "
b	7.8740 "
c	2.7559 "
g	3.1496 "
g1	2.7559 "
h	8.6614 "
h1	15.7480 "
l	8.2677 "
l1	11.7323 "
l2	0.5906 "
m	20.8661 "
n	4.3307 "
u	1.6535 "
v	2.3622 "
r max	0.0984 "
D	11.4173 "
oil level	56.8504 "
oil quantity	77.02 in <sup>3</sup>
housing weight	440.92 oz
Material of Housing	grey cast
Brand	SNR

Screws	
fixing bolts G	M36
recommended torque	1,520 Nm
Connection bolts	M24
recommended torque	440 Nm
Eye bolt(s)	M20