

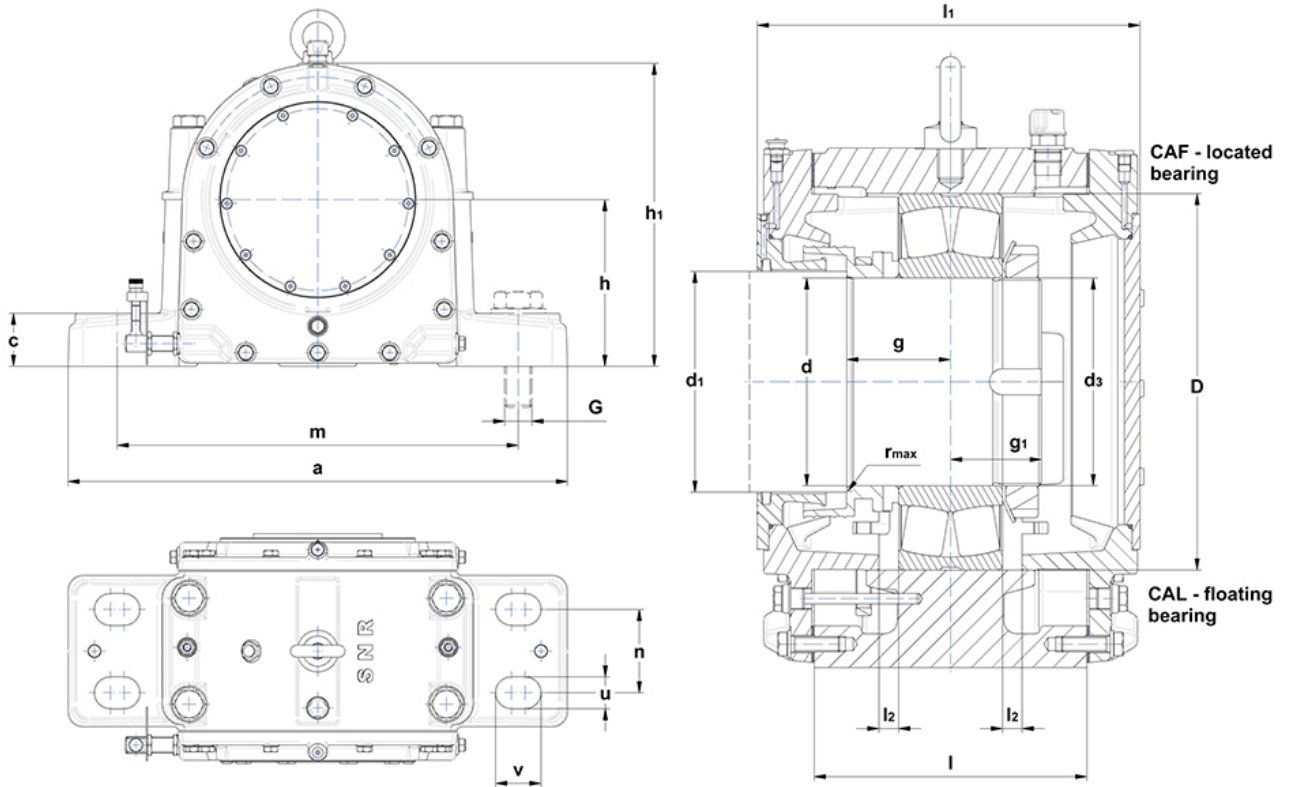
bearing 1	Nut	Lock washer	Feltstrips (optional)
22228	KM 28	MB 28	9x7,5x584

PDF technical sheet SNOE228CAL



Split plummer block housings SNOE

split plummer block housing for spherical roller bearings with cylindrical bore, made of grey cast, for oil lubrication



Product definition	
d	5.5118 "
d1	5.9055 "
d3	M140x2
a	22.4409 "
b	6.8898 "
c	2.5591 "
g	2.8740 "
g1	2.2835 "
h	7.4803 "
h1	13.9764 "
l	7.0866 "
l1	10.5906 "
l2	0.5906 "
m	18.1102 "
n	3.9370 "
u	1.4173 "
v	1.9685 "
r max	0.0984 "
D	9.8425 "
oil level	52.2441 "
oil quantity	60.63 in ³
housing weight	398.60 oz
Material of Housing	grey cast
Brand	SNR

Screws	
fixing bolts G	M30
recommended torque	870 Nm
Connection bolts	M20
recommended torque	260 Nm
Eye bolt(s)	M16