

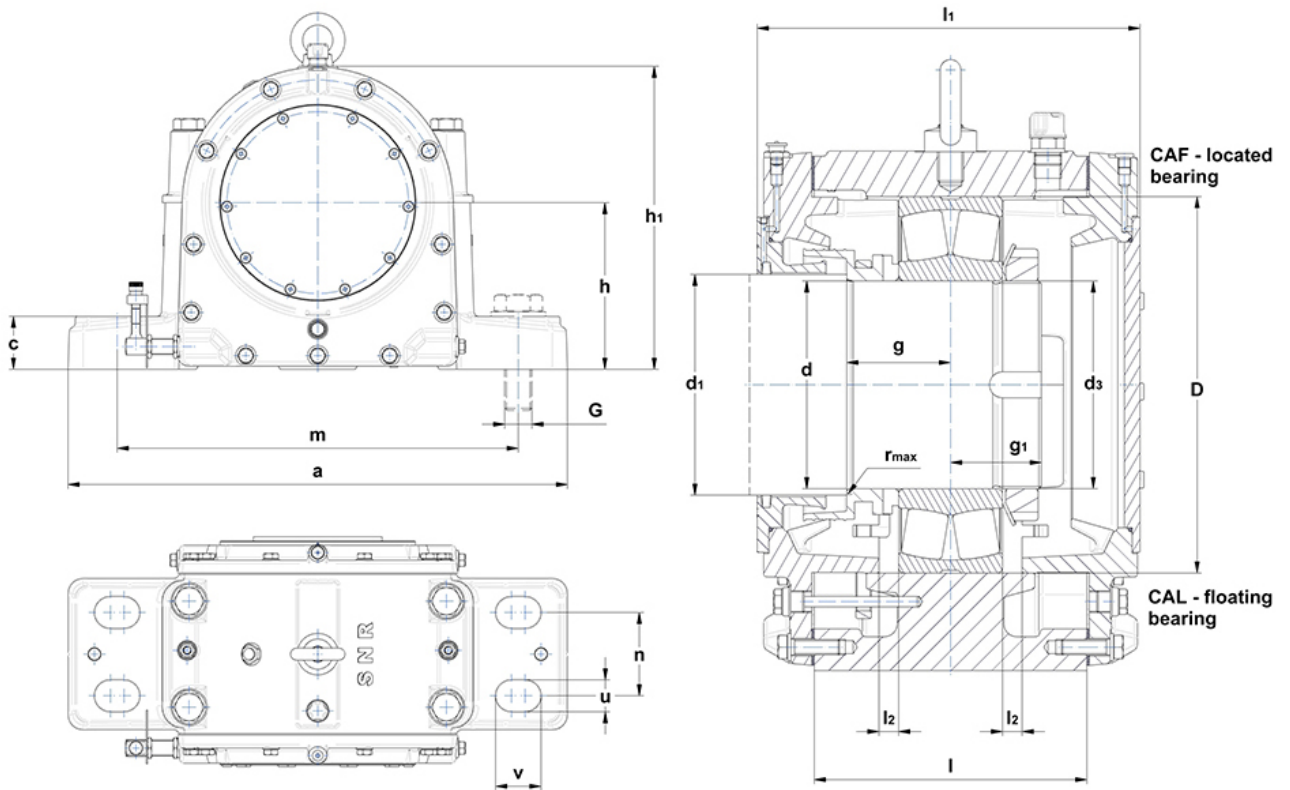
bearing 1	Nut	Lock washer	Feltstrips (optional)
22220	KM 20	MB 20	9x7,5x428

## PDF technical sheet SNOE220CAL



### Split plummer block housings SNOE

split plummer block housing for spherical roller bearings with cylindrical bore, made of grey cast, for oil lubrication



Product definition	
d	3.9370 "
d1	4.3307 "
d3	M100x2
a	19.2913 "
b	6.2992 "
c	1.9685 "
g	2.3622 "
g1	1.7717 "
h	5.9055 "
h1	10.6299 "
l	6.6929 "
l1	9.9606 "
l2	0.5118 "
m	15.7480 "
n	3.1496 "
u	1.1811 "
v	1.7717 "
r max	0.0984 "
D	7.0866 "
oil level	52.4409 "
oil quantity	27.86 in <sup>3</sup>
housing weight	204.59 oz
Material of Housing	grey cast
Brand	SNR

Screws	
fixing bolts G	M24
recommended torque	440 Nm
Connection bolts	M20
recommended torque	260 Nm
Eye bolt(s)	M16