

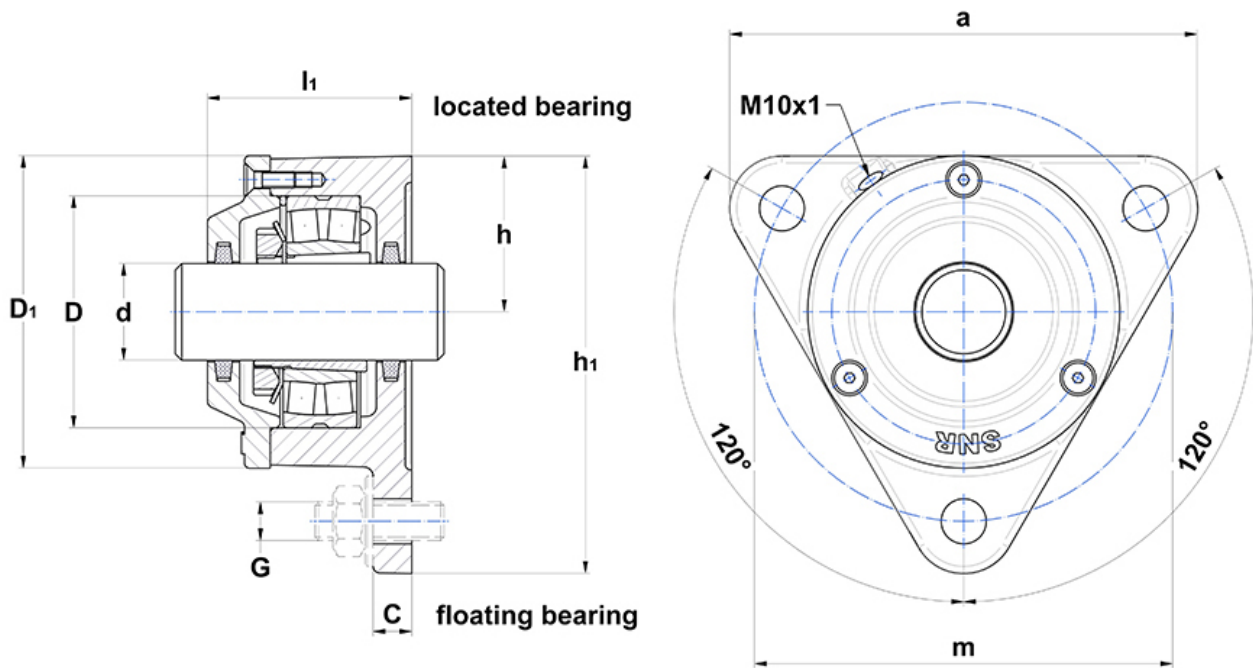
Bearings	Adapter sleeve	Fixing rings (2x)	Fixing rings (1x)	feltstrip
1213 K C3	H213		FR120/10	FS 8 x 6,5 x 240
2213 K C3	H313		FR120/2	
22213 K	H313		FR120/2	

PDF technical sheet 722513 DB



Flanged housings 722500

flanged housing for bearings on adapter sleeve, made of ductile cast, for grease lubrication



Product definition	
d	2.3622 "
a	8.8583 "
c	0.5906 "
h	3.0709 "
h1	7.9921 "
l1	3.3858 "
m	7.4803 "
N	0.5512 "
D	4.7244 "
housing weight	20.81 oz
Material of Housing	grey cast
Brand	SNR

Screws	
recommended torque	65 Nm
Cover bolts	M6x20
recommended torque	7 Nm