

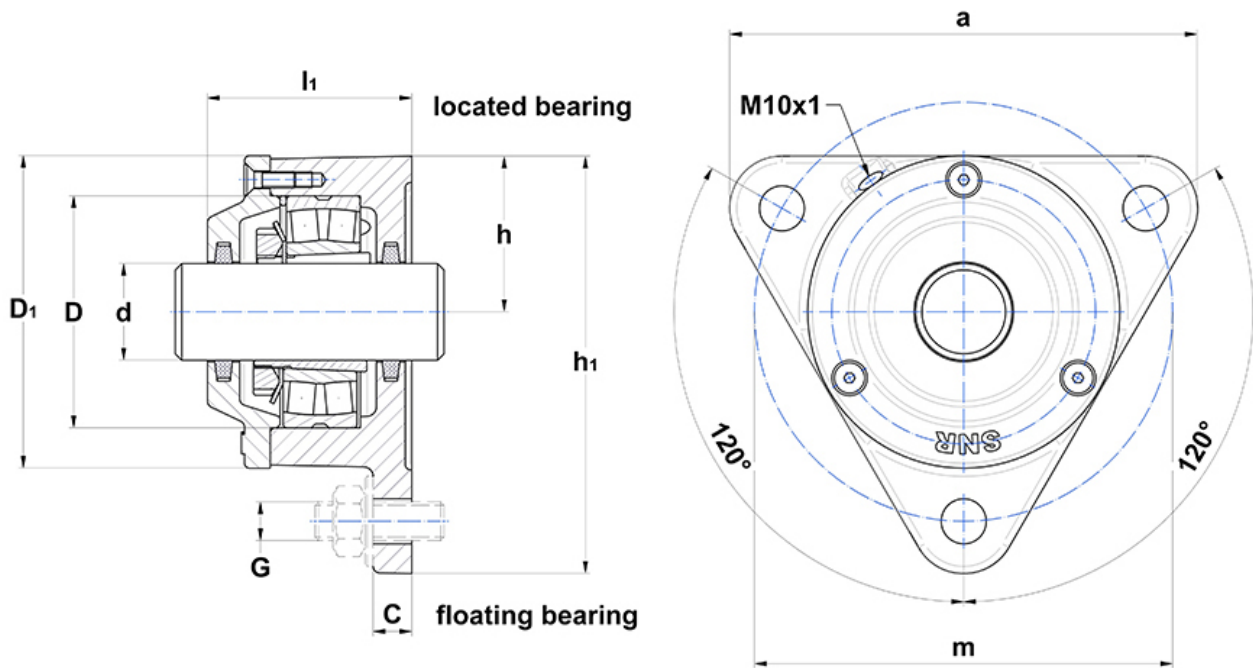
Bearings	Adapter sleeve	Fixing rings (2x)	Fixing rings (1x)	feltstrip
1210 K C3	H210		FR90/5	FS 6 x 5 x 180
2210 K C3	H310		FR90/2	
22210 K	H310		FR90/2	

PDF technical sheet 722510 DB



Flanged housings 722500

flanged housing for bearings on adapter sleeve, made of ductile cast, for grease lubrication



Product definition	
d	1.7717 "
a	7.0866 "
c	0.4724 "
h	2.3622 "
h1	6.2992 "
l1	2.8740 "
m	6.2992 "
N	0.5512 "
D	3.5433 "
housing weight	10.58 oz
Material of Housing	grey cast
Brand	SNR

Screws	
recommended torque	65 Nm
Cover bolts	M6x20
recommended torque	7 Nm